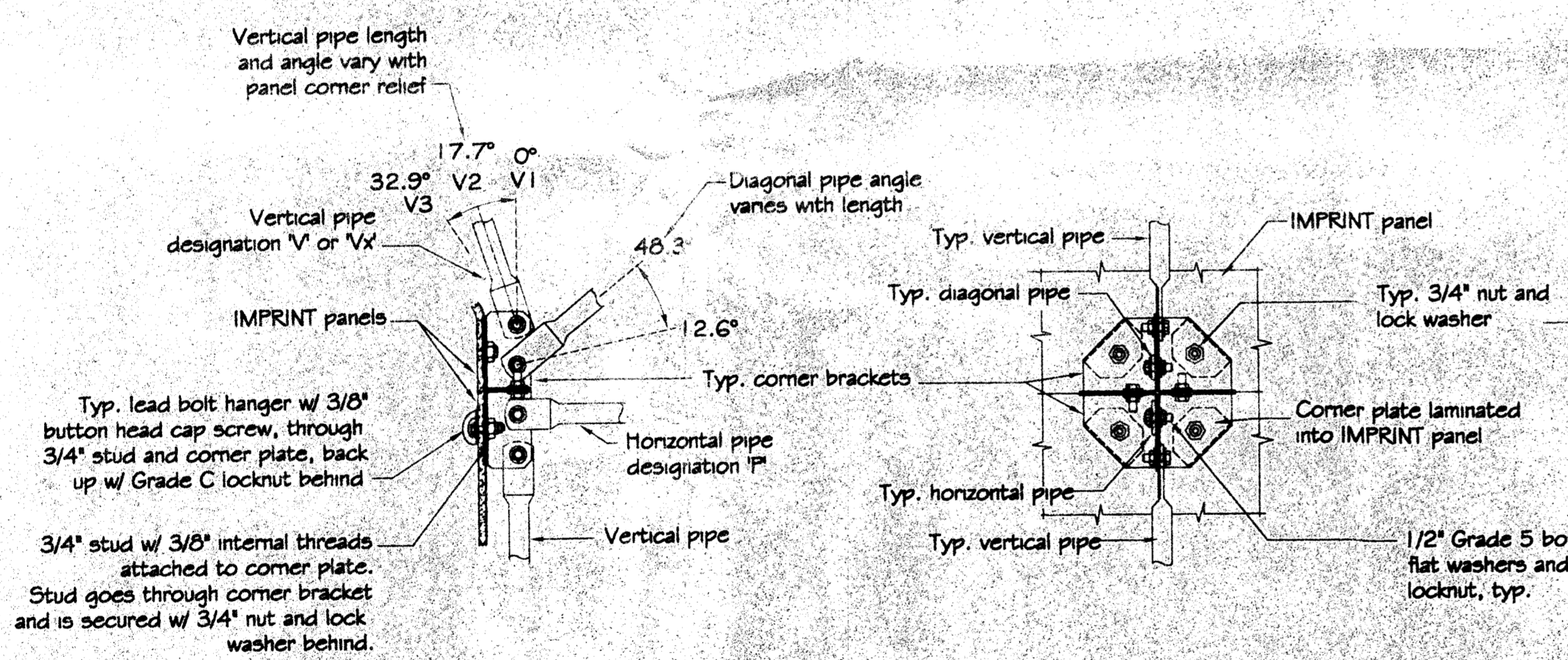
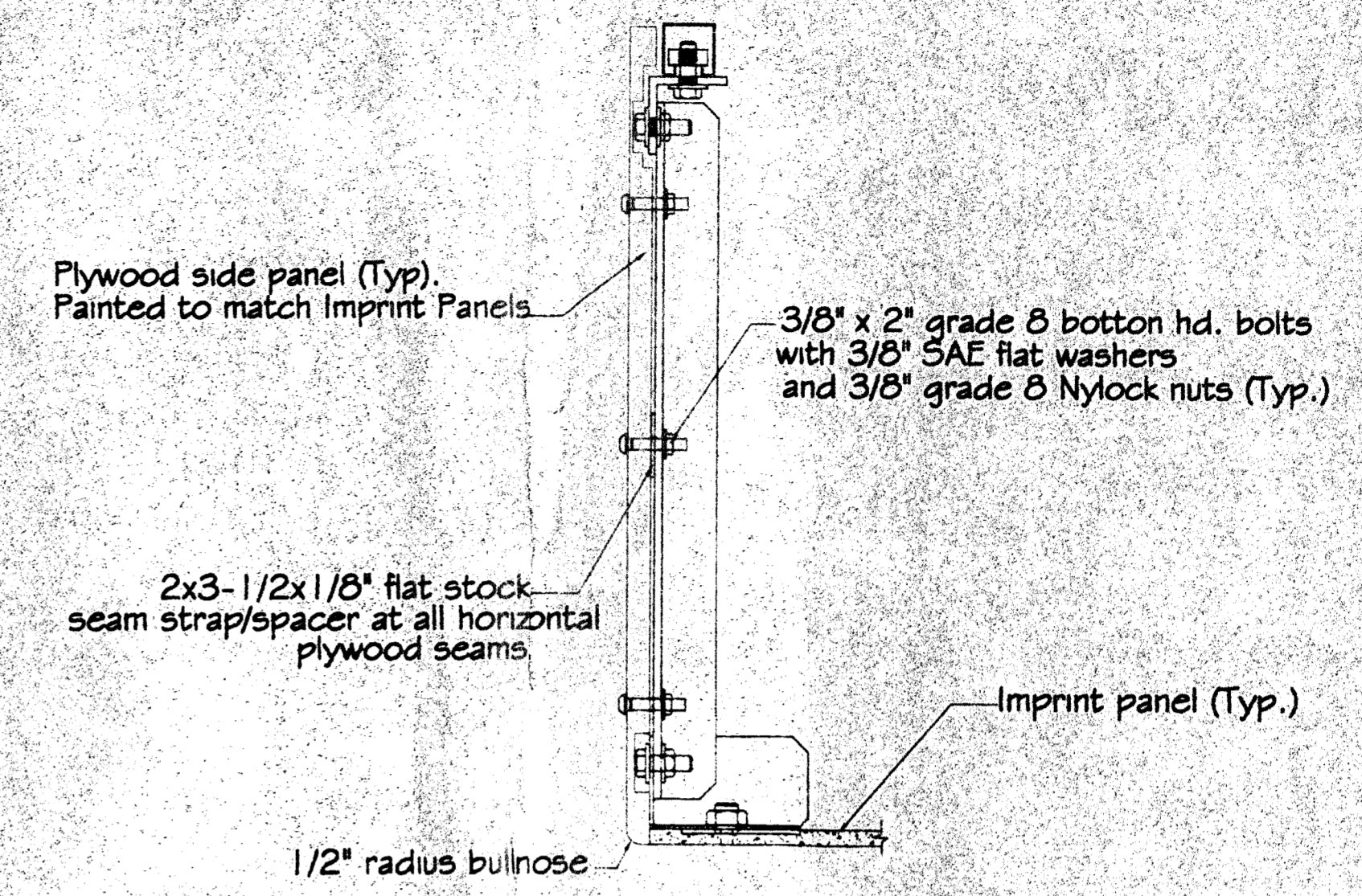
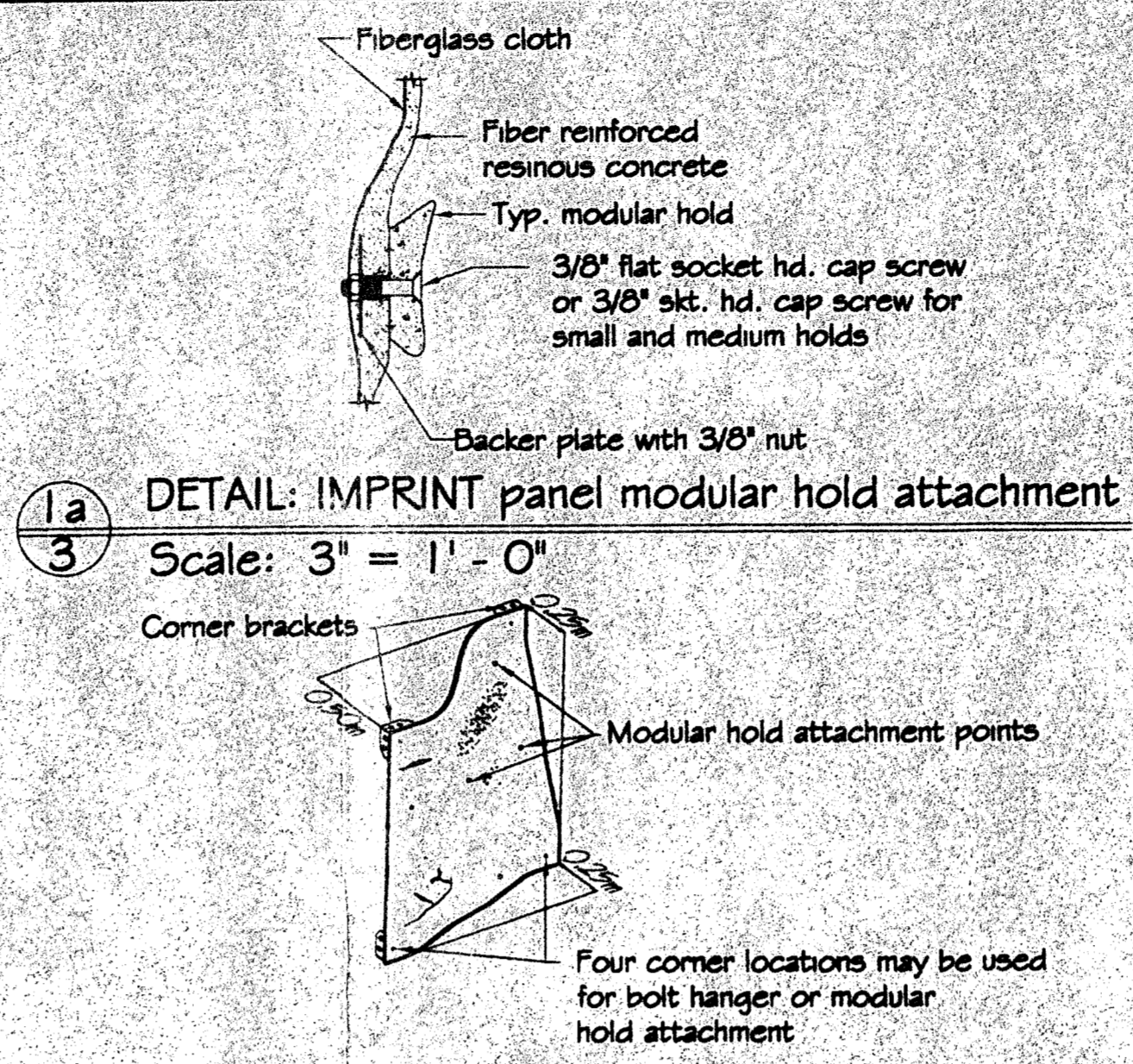
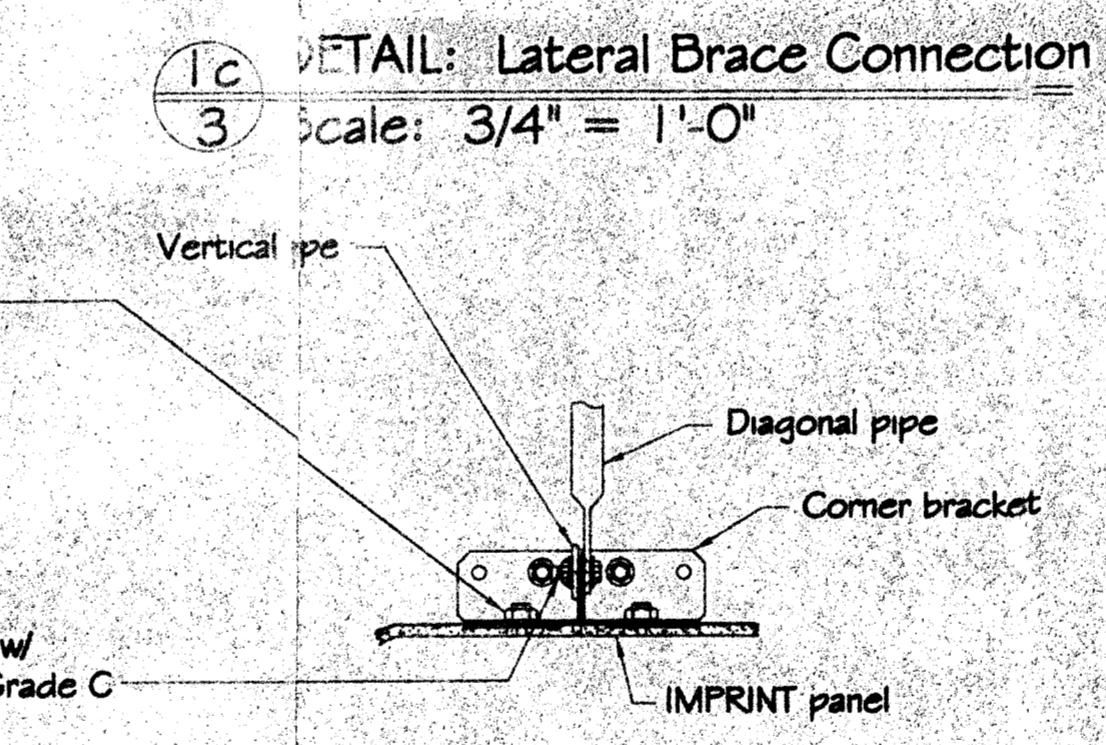


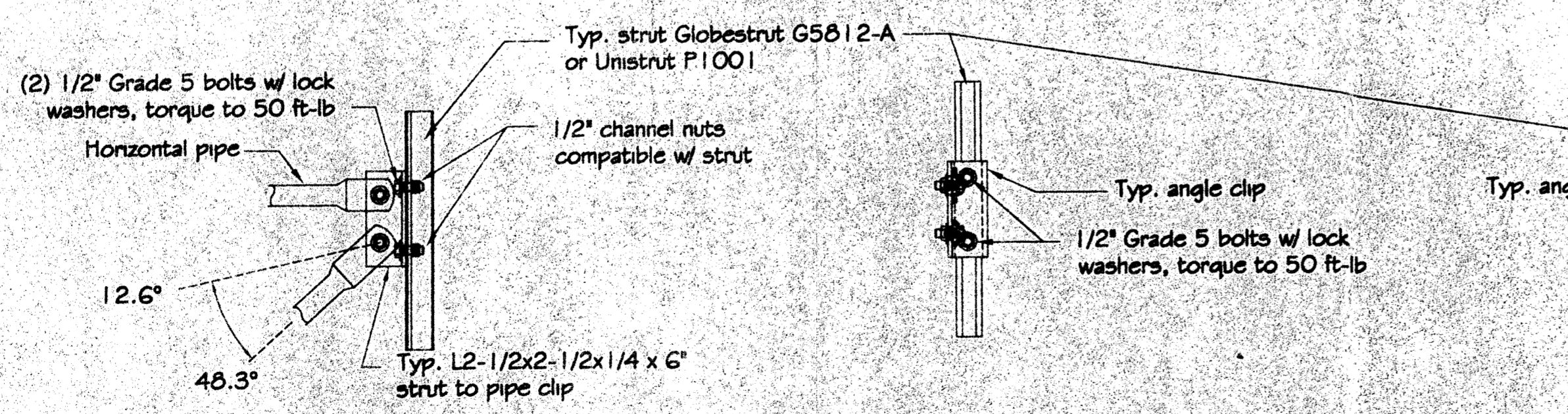
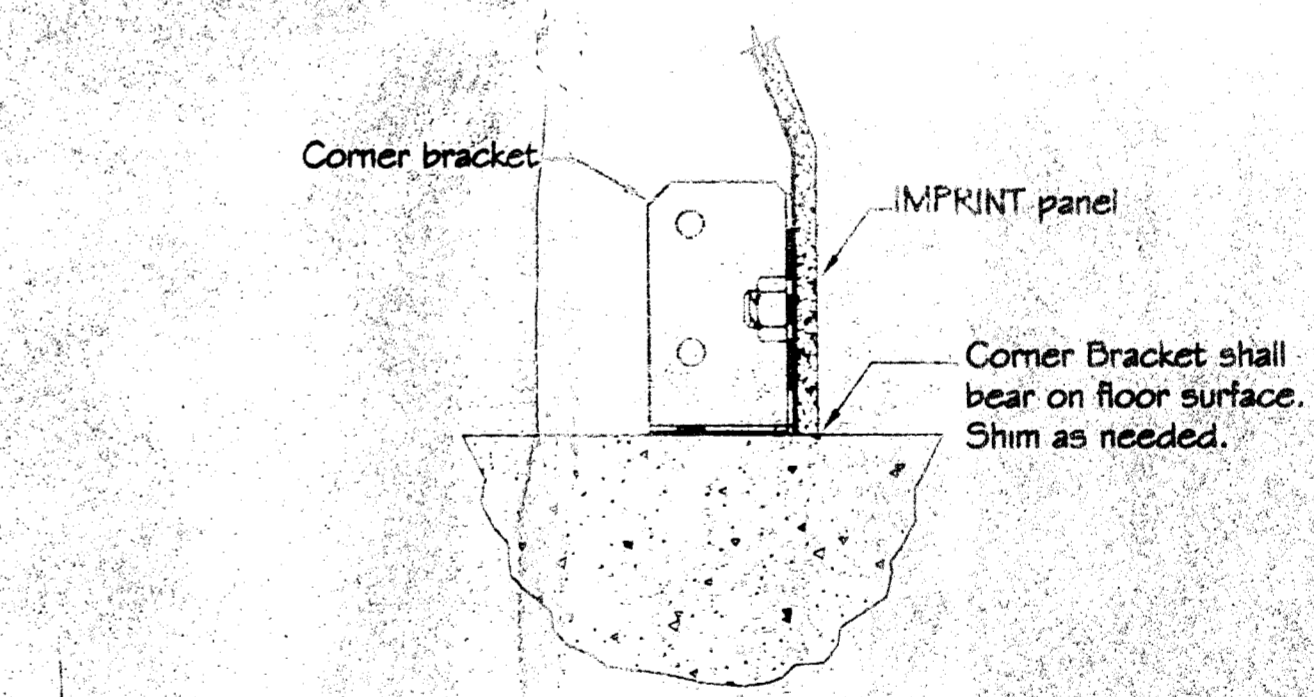
1 IMPRINT panel schedule and designation key (Quantity Req'd under panel)
 3 rotate panels to achieve topography shown in elevation



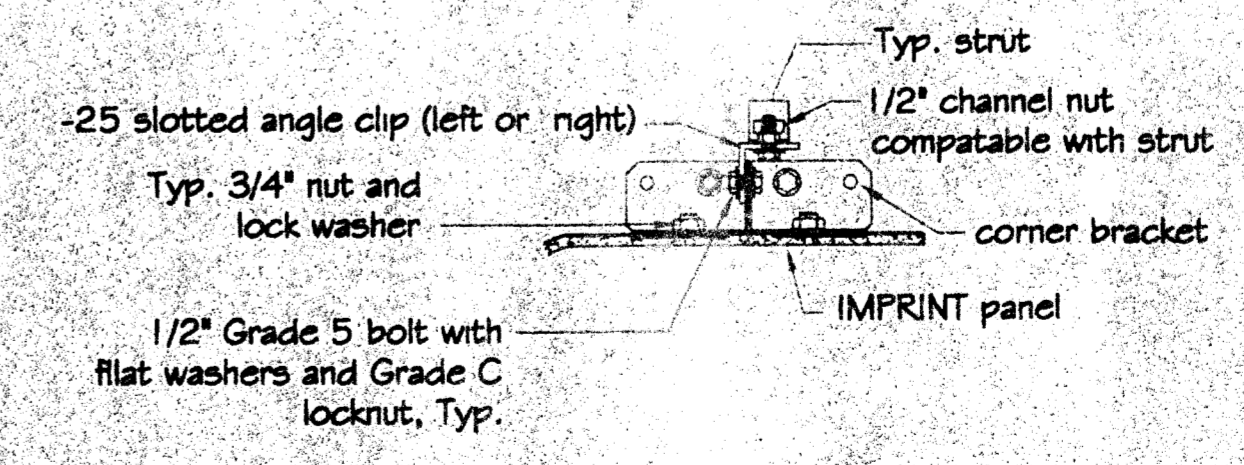
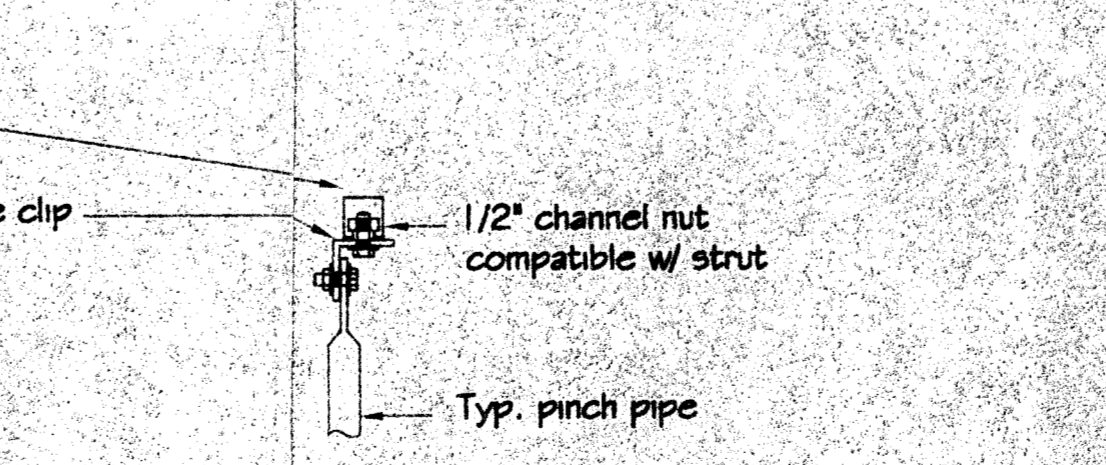
2a DETAIL: Typ. Corner Bracket Connection
 3 back view, 4 CB field connection 1-1/2" = 1'-0"



2b DETAIL: Typ. Corner Bracket Connection
 3 plan view 1-1/2" = 1'-0"



3a DETAIL: Typ. Pinch Pipe to Strut Conn.
 3 front view 1-1/2" = 1'-0"



3c DETAIL: Typ. 25 Angle Clip Connection
 3 Scale: 1-1/2" = 1'-0"